

Design Concepts

Eaton's Carter product line includes Model 60559 Pressure Loss Compensator and a full range of venturis available with a variety of inlet and outlet sizes. Model 60559 4-inch Pressure Loss Compensator is uniquely designed with features not available in other compensators or venturis. Simplicity of operation, low pressure loss, available compensation and compact design make the Model 60559 Pressure Loss Compensator ideally suited for all refueling vehicle applications.

Eaton's Carter line of traditional venturis includes Models 64086 3-inch, 64085 4-inch, 64088 4x3-inch and Model 64193 6-inch line sizes. All venturis are available with either victaulic or TTMA flanged inlet and outlet mountings and optional pitot tube.

Features

Model 60559 Pressure Compensator

- Compact for easy installation between standard flanges — less than two inches of exposed length. Shorter overall installed length.
- High pressure compensation
- Extremely low line pressure loss from compensator inlet to outlet
- Only one needle valve for easy adjustment
- Adjustment screw is protected by screw-on cap with lock wire capability
- Mates either ANSI or TTMA flanges for ease of installation

Models 64085 and 64086 Venturis

- Victaulic inlet and outlet
- 3-inch and 4-inch line sizes available
- Low pressure loss across units
- High pressure compensation
- One adjustment needle valve standard, two available

Performance Characteristics

Model 60559 Pressure Compensator

- Compensation — adjustable over 10 to 27 psi (.689 to 1.862 bar) at 600 gpm (2,271 l/min) flow rate
- Pressure loss — less than 1.2 psi (.083 bar) at 600 gpm (2,271 l/min) flow rate
- Maximum flow capability — over 1000 gpm (3,785 l/min)

Venturis

- Compensation adjustable:
Model 64086 3-inch — up to 35 psi (2.413 bar) at 300 gpm (1,135 l/min)

Model 64085 4-inch — up to 45 psi (3.103 bar) at 600 gpm (2,271 l/min)

Model 64088 4x3-inch — up to 50 psi (3.447 bar) at 400 gpm (1,514 l/min)

Model 64193 6-inch — up to 43 psi (3.965 bar) at 1000 gpm (3,785 l/min)

Pressure Loss:

Model 64086 3-inch — 4.6 psi (.317 bar) at 300 gpm (1,135 l/min)

Model 64085 4-inch — 22 psi (1.517 bar) at 600 gpm (2,271 l/min)

Model 64088 4x3-inch — 12 psi (.827 bar) at 400 gpm (1,514 l/min)

Model 64193 6-inch — 7 psi (.483 bar) at 1000 gpm (3,785 l/min)



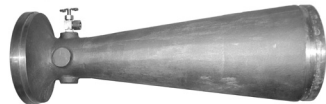
Model 64085 Venturi



Model 64086 Venturi



Model 64088 Venturi

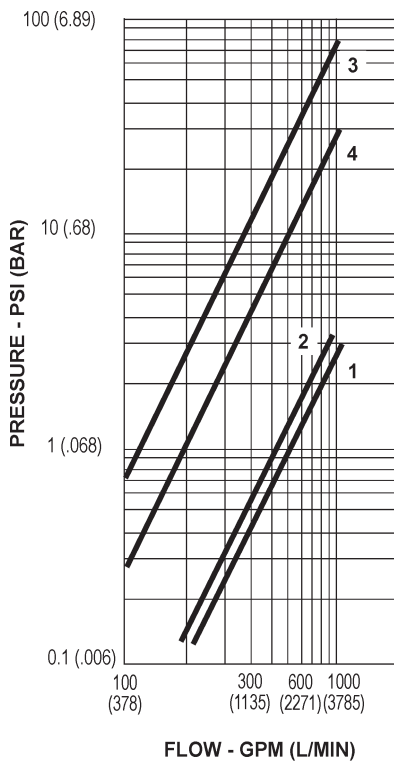


Model 64193 Venturi

Installation Note

To meet the performance shown in this bulletin, allow a minimum length of straight pipe on the inlet and outlet equal to 3.5 times the pipe diameter. Allow more straight piping if installed before or after elbows or tees. Anything less will result in poorer performance.

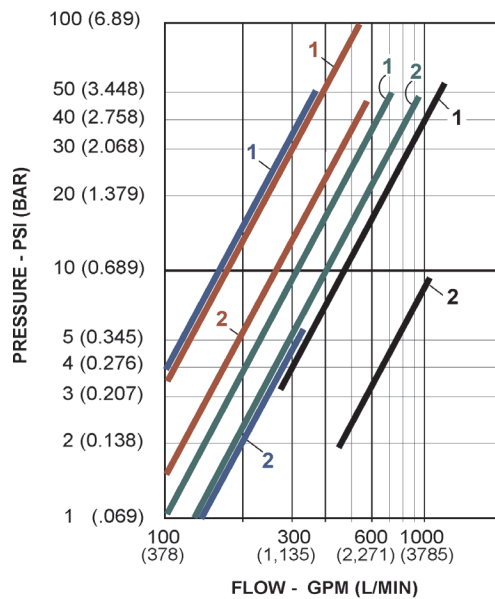
Pressure Compensation and Line Pressure Drop



Model 60559

1. Pressure drop for min compensation
2. Pressure drop for max compensation
3. Min compensation
4. Max compensation

Pressure Compensation and Line Pressure Drop



Model 64085

1. Pressure compensation
2. Pressure drop

Model 64086

1. Pressure compensation
2. Pressure drop

Model 64088

1. Pressure compensation
2. Pressure drop

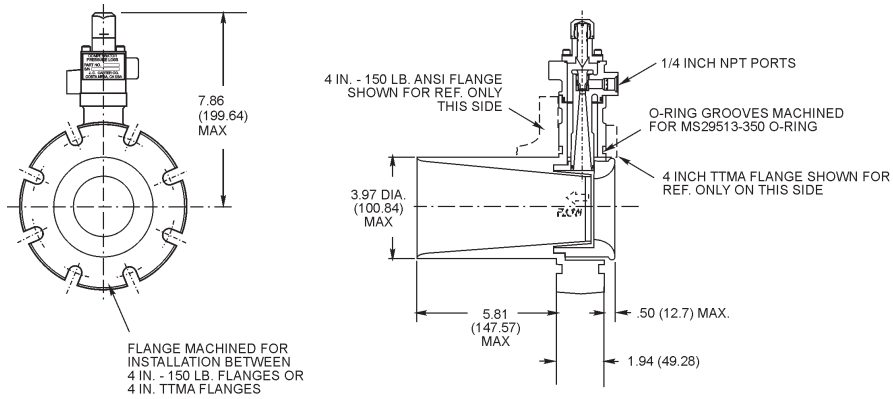
Model 64193

1. Pressure compensation
2. Pressure drop

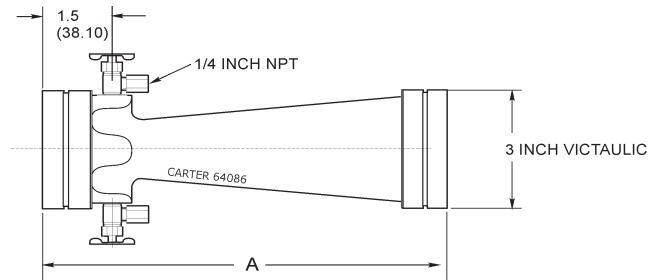
Envelope Dimensions

Dimensions shown in inches (millimeters)

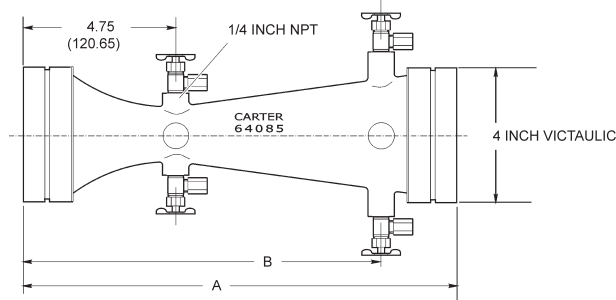
Model 60559



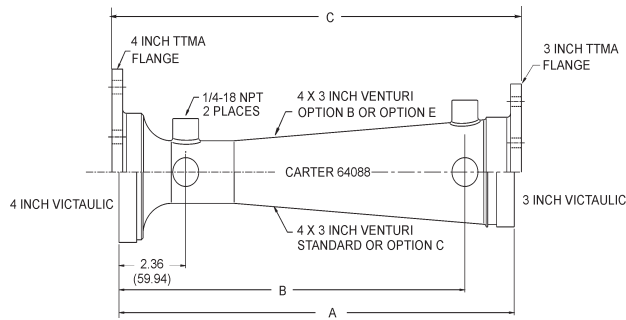
Model 64086



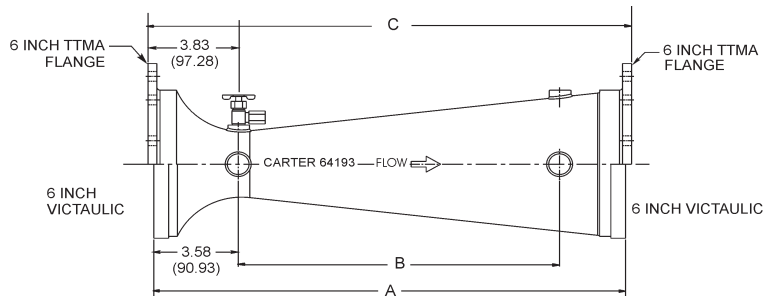
Model 64085



Model 64088



Model 64193



DIM	64085	64086	64088	64193
A	14.00 (355.6)	9.75 (247.65)	14.00 (355.6)	20.00 (508.0)
B	12.00 (304.8)	--	12.25 (311.15)	13.62 (345.95)
C	--	--	14.50 (368.3)	20.50 (520.7)

Ordering Data

Available options may be added to the basic part numbers when desired.

Model 60559

4-inch pressure loss compensator

Option	Description
--------	-------------

C	3/8-inch NPT pressure pickup port
D	3/8-inch BSPP pressure pickup port
E	AND10050-6 pressure pickup port

Model 64085

4-inch Venturi

Basic model includes 1.50 inch throat diameter and one compensated pressure adjustment valve. Victaulic mounting ends.

Option	Description
--------	-------------

A	Adds second compensated pressure adjustment valve
B	Replaces victaulic ends with TTMA flanged ends
C	Replaces 1.50 inch throat with 1.62 inch throat diameter. One compensated pressure adjustment valve, victaulic ends.
D	Adds pitot tube with one compensated pressure adjustment valve
E	Replaces 1.50 inch throat with 1.62 inch throat diameter. One compensated pressure adjustment valve. Replaces victaulic ends with TTMA flanged ends.

Model 64086

3-inch Venturi

Basic model includes 1.20 inch throat diameter and one compensated pressure adjustment valve. Victaulic mounting ends.

Option	Description
--------	-------------

A	Adds second compensated pressure adjustment valve
B	Replaces victaulic ends with TTMA flanged ends
D	Adds pitot tube with one compensated pressure adjustment valve

Model 64088

4x3-inch Venturi

Basic unit includes 1.25 inch throat diameter and one compensated pressure adjustment valve. Victaulic mounting ends.

Option	Description
--------	-------------

A	Adds second compensated pressure adjustment valve
B	Replaces victaulic ends with TTMA flanged ends
C	Replaces 1.25 inch throat with 1.38 inch throat diameter. One compensated pressure adjustment valve, victaulic ends.
D	Adds pitot tube with one compensated pressure adjustment valve
E	Replaces 1.25 inch throat with 1.38 inch throat diameter. One compensated pressure adjustment valve. Replaces victaulic ends with TTMA flanged ends.

Model 64193

6 inch Venturi

Basic model includes 2.30 inch throat diameter and one compensated pressure adjustment valve. Victaulic mounting ends.

Option	Description
--------	-------------

A	Adds second compensated pressure adjustment valve
B	Replaces victaulic ends with TTMA flanged ends
D	Adds pitot tube with one compensated pressure adjustment valve

Eaton
Aerospace Group
Fluid & Electrical Distribution Division
9650 Jeronimo Road
Irvine, California 92618
Phone: (949) 452 9500
Fax: (949) 452 9992
E-mail: groundfueling@eaton.com

Eaton
Aerospace Group
9650 Jeronimo Road
Irvine, California 92618
Phone: (949) 452 9500
Fax: (949) 452 9555
www.eaton.com/aerospace

Copyright © 2013 Eaton
All Rights Reserved
Form No. TF100-93D
May 2013